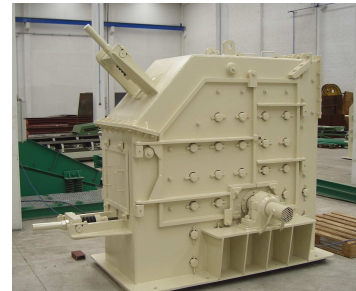


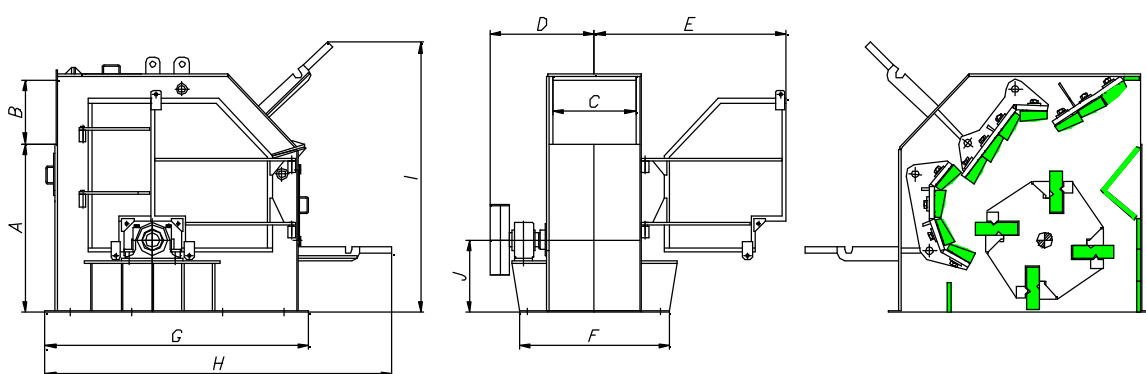


MANUFACTURE, REPAIR, MAINTENANCE AND SUPPORT EQUIPMENT QUARRY, GRAVEL PITS, INDUSTRIAL CERAMICS, GLASS, WATER TREATMENT, RECYCLING PLANTS OF MSW AND OTHERS

IMPACT MILLS I SERIES



	FEEDER TN/H	POWER HP	MAXIMUM SIZE OF FEEDING	ENTRANCE	NUMBER OF BARS	Ø OF ROTOR X WIDTH
I-75	75	75-125	125 mm	400x580	4	960x500
I-150	150	150-180	250 mm	520x680	4	1135x660
I-300	300	270-340	250 mm	520x1340	8	1135x1325



	A	B	C	D	E	F	G	H	I	J
I-75	1225	400	580	770	1290	1065	1965	2655	2150	590
I-150	1370	520	680	850	1570	1225	2150	2830	2200	590
I-300	1370	520	1340	1200	1900	1885	2150	2830	2200	590