



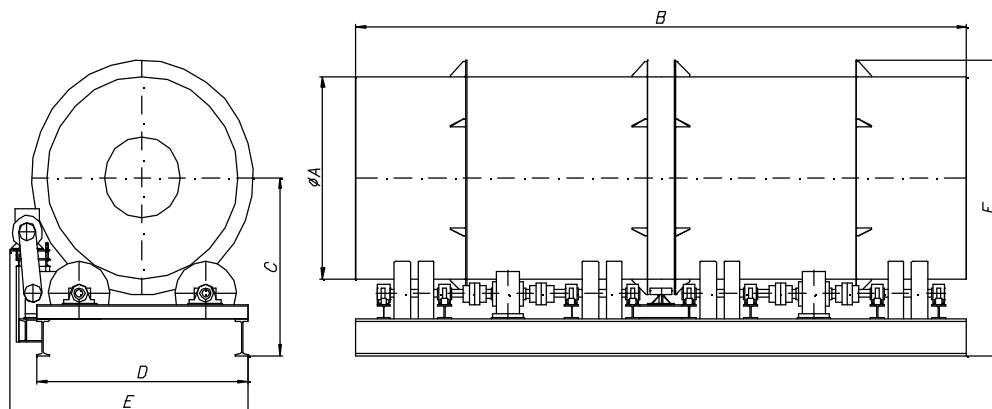
MANUFACTURE, REPAIR, MAINTENANCE AND SUPPORT EQUIPMENT QUARRY, GRAVEL PITS, INDUSTRIAL CERAMICS, GLASS, WATER TREATMENT, RECYCLING PLANTS OF MSW AND OTHERS

BASS-DRUMS WASHERS BL SERIES



	PRODUCTION TN/H*	POWER HP	NUMBER OF REDUCERS	NUMBER OF WHEELS	RETENTION'S WHEELS	BAR OF ROLL OVER
BL-1560	40 – 80	15	1	12	2	7
BL-1752	40 – 80	30	1	12	2	8
BL-2060	80 – 120	50	1	12	2	10
BL-2580	150 – 200	2 x 50	2	16	3	12
BL-3080	200 – 300	2 x 75	2	16	3	16

** IT DEPENDS ON THE MATERIALS*



	A	B	C	D	E	F
BL-1560	1500	6000	1350	2000	2350	2225
BL-1752	1750	5250	1430	2000	2350	2450
BL-2060	2000	6000	1690	210	2625	2850
BL-2580	2500	8000	2200	2770	3125	3650
BL-3080	3000	8000	2410	3650	3990	4110

Besides our models standard, we can make complete bass-drums or ferrules according to the needs you specify of every installation.

Parc Industrial Ciutat de Carlet – C/Xaloc, 3 y 5 • Tel. 96.299.49.10 • Fax 96.299.49.11 • Carlet (Valencia)